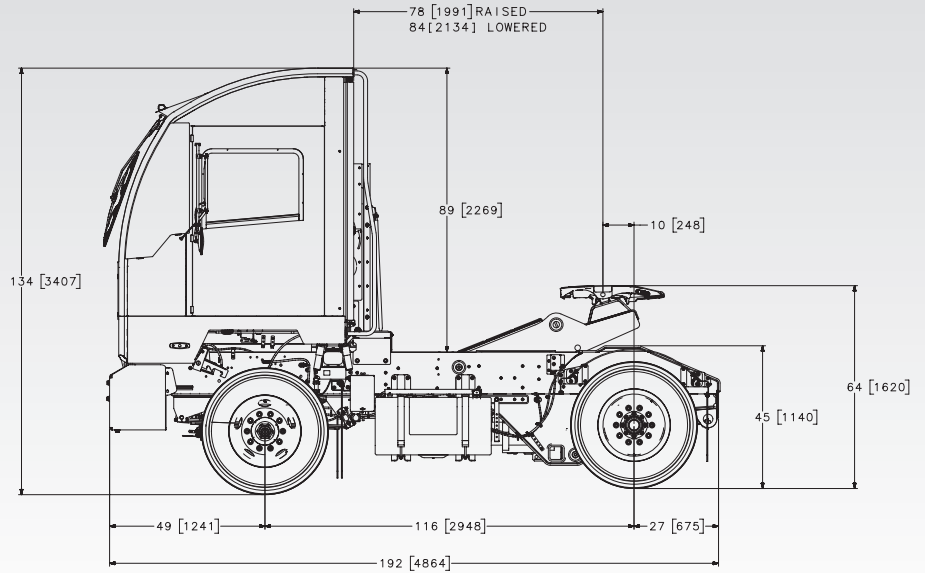
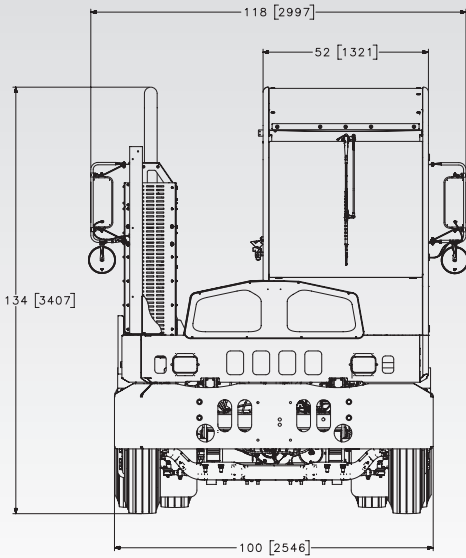




ACTT 4X2

AUTOCAR TERMINAL TRACTOR - DOT/EPA COMPLIANT



ACTT 4X2 DOT/EPA COMPLIANT

Representative Terminal Tractor Specifications.
Your truck will be custom-engineered for your application

ALL DIMENSIONS IN INCHES

ENGINE AND EQUIPMENT	
Engine model	Cummins B6.7 200HP @2600RPM/520 LB-FT @1500RPM
	Cummins B6.7 260HP @2600RPM/620 LB-FT @1500RPM
	Cummins B6.7N 200HP @2600RPM/520 LB-FT @1500RPM
	Cummins B6.7N 240HP @2600RPM/560 LB-FT @1500RPM
Exhaust	Vertical single module DPF/SCR, right side mounted turned out stack
DEF	6 gallon DEF tank
	12 gallon DEF tank
Air Cleaner	Donaldson 11 inch two stage
	Donaldson inline precleaner / Donaldson topspin precleaner
Radiator	850 square inch aluminum
Fan & Drive	Viscous fan drive
	Electronic controlled Horton RCV250
Coolant Hoses / Piping	Silicone hoses with steel tubing
Coolant	Extended life coolant
Engine Equipment	Fleetguard FS 1003 F/W separator w/probe & dash light
	Fleetguard FS 1003 with heat/Davco 245 with heat
	Engine block heater (750/1000W)/oil pan heater/engine oil sample port
	Arctic Fox in-tank fuel heater w/thermostat

TRANSMISSION AND EQUIPMENT	
Transmission model	Allison 3000 RDS
	Allison 3500 RDS
Transmission gearing	4-speed
	3-speed, 5-speed
Transmission controls	Allison push button
	Allison T-handle
Transmission cooler	Oil to water type
Transmission lubricant	TranSynd™ synthetic
Driveshaft	Dana Spicer® 1710 half-round

FRONT AXLE AND EQUIPMENT	
Axle model	Meritor MFS Wide track (14,700 lb rated)
	Dana Spicer® E-1322-W (13,200 lb rated)
Front suspension	Flat leaf (14,500 lb rated)
	Flat leaf (18,800 lb rated)
Shock absorbers	Double acting - heavy duty
Power steering	Gearbox, integral steering w/mechanical backup
Power steering reservoir	Integral w/hydraulic tank
ABS	Exempt
	4S4M with or without traction control plus ESC (ESC required for vehicles over 33mph)
Brakes	16.5 x 5 s-cam
Brake drums	Cast iron
Stack adjusters	Meritor automatic slack adjusters
	Haldex slacks
Front hubs	Iron hub piloted

REAR AXLE AND EQUIPMENT	
Axle model	Meritor S24-160 (single reduction)
	Meritor RS23-186, Meritor RS30-380
	Sisu 30 S Planetary axle
Rear axle ratio	7.17:1
	Ratio based on selected axle & performance
Rear suspension	Solid
	Rear spring suspension w/aeon cushions
ABS	Exempt
	4S4M with or without traction control plus ESC (ESC required for vehicles over 33mph)
Brakes	16.5 x 7 s-cam
Brake drums	Cast iron
Stack adjusters	Meritor automatic slack adjusters
	Haldex slacks
Rear hubs	Iron hub piloted
Gear lubricant	Synthetic

PNEUMATIC SYSTEM	
Air compressor	Wabco 18.7 CFM
Air system Drain Valve	Manual petcocks all tanks
	Air manifold with pull cords in all tanks or 1/4 turn valve tank drains
Air lines	Nylon, color coded
Brake system	121 air brake system, front/rear system protection

FUEL SYSTEM	
Fuel tank	50 gallon steel round mounted left side
	50 or 75 gallon step tank, 50 gallon aluminum round, Dual 50 gallon tanks
	Prep for CNG or LNG tanks (w/Cummins B6.7N option)
Fuel filter	Cummins
Fuel lines	SAE J844 nylon

5TH WHEEL AND HYDRAULIC SYSTEM	
5th wheel	SAF/Holland 80,000 lb semi-oscillating 16 inch lift
	SAF/Holland 100,000 lb semi-oscillating 16 inch lift
Hydraulic lift cylinders	(2) 5 inch 50,000 lb capacity, upper & lower spherical bushings
	Limited lift height cylinders
Hydraulic tanks	15 gallon steel tank w/sight glass
Pump	Engine mounted
	Chelsea PTO 280-5RK

TRAILER EQUIPMENT	
Air connections	15 ft straight rubber trailer hoses w/spring hanger
	20 ft straight rubber trailer hoses w/spring hanger
7-way electric cable receptacle	12 ft electrical cable
	15 ft electrical cable

LIGHTING	
Headlamps	Low/high halogen
	LED headlights, spot-style headlights, direct wired
Backup light, stop & turn signals	LED stop & turn, incandescent backup, shock resistant mount
	LED spot lights, alternate positioning
BOC 5th wheel light	Incandescent, shock resistant mount
Marker and side turn signals	LED BOC light
	LED

CHASSIS AND EQUIPMENT	
Wheelbase	116 inch
	122 inch
	128 inch
Frame	2.0 million RBM, 50KSI steel, C-reinforced
	2.0 Million RBM, 50KSI Steel, C-Reinforced, Heavy Duty box frame, Galvanized Coating
Frame fasteners	Grade 8 bolts where possible
Bumper	Steel reinforced bumper
	Heavy duty reinforced bumper
Tow device(s)	Front & rear tow eyes
Mud flaps	Rear of drive tires

ELECTRICAL SYSTEM	
Electrical system	12V, negative ground
Alternator	Delco 160 AMP, 28SI w/remote sense pad mount
	Mitsubishi 12V 160 AMP pad mount
Starter	Delco Remy 31MT
	Denso 12V
Batteries	(2) group 31 750 CCA (min)/1500 CCA total
	1900CCA, 2000CCA, 3000CCA, AGM batteries 1800CC, 2300 CCA
Circuit protection	Fused circuits
Windshield wipers	Single electric (pantograph) intermittent w/washer
Backup alarm	Non-motion detecting
	Motion detecting, CA compliant, or white noise
Horn	Single electric
Telematics	Autocar Advanced Telematics - full installation

PAINT	
Cab	White
	(Customer specific colors)
Chassis	Black
	(Customer specific colors)
Bumper	Black
	(Customer specific colors)
Wheels	White powder coat
	(Customer specific colors)

TIRES AND WHEELS	
Front tires	295/75R22.5 Low-Pro Double Coin
	(11R/280/275)/Goodyear, Michelin, Continental
Front wheels	Steel 22.5" x 8.25" hub piloted, 285mm BC
	22.5" x 8.25" Steel 2 HH wheel, customer supplied wheels/tires
Rear tires	295/75R22.5 Double Coin
	(11R/280/275)/Goodyear, Michelin, Continental
Rear wheels	Steel 22.5 x 8.25 hub piloted, 285mm BC
	22.5" x 8.25" Steel 2 HH wheel, customer supplied wheels/tires V2B flow through valve caps

BASIC WARRANTIES	
Autocar terminal tractor	1 year or 3,000 hours whichever occurs first, parts & labor
Frame	7 years or 20,000 hours whichever occurs first
Cummins engine	B6.7- 3 years parts & labor (2,000 hours)
Allison transmission	3 years parts & labor
	5 year optional
Dana axles	3 years parts & labor
Meritor axles	(24-160 only) 6 months, parts only
	2 years parts & labor

ACTT 4X2

AUTOCAR TERMINAL TRACTOR - DOT/EPA COMPLIANT

VEHICLE RATINGS	
Vehicle tare weight, front	
Vehicle tare weight, rear	
GAWF	14,500 lbs
GAWR	23,000 lbs
GCV	80,000 lbs

OPTIONAL EQUIPMENT		
Air Dryer (ADIP, AD-9, Wabco1200)	Glad-hand and 7-way cable storage	Cab fan(s)
Fuel/water separator w/heater	Battery disconnect switch	AM/FM radio/CD w/aux input, speakers & antenna
Engine block heater	Air restriction indicator w/ dash light	5# ABC fire extinguisher
Oil pan heater	Amber beacon light	Triangle kit
Beavertail/frame extension/kingpin guides	Spot/work/flood lights	Lever start, no key/pushbutton start
Front axle mudflaps	Rear door laminated glass or High impact resistant window	Double blink strobe light, other strobe/beacon options
Rear axle mudflap (front)	Training seat	Air horn
Rear flexible fenders	Auto lube systems	No driver door
Fender skirt/splash protector	Trailer stops/full cab guard	Lever start, no key/pushbutton start
Glad hand buckets	Dock bumpers (cab)	Double blink strobe light, other strobe/beacon options
Additional engine tunnel insulation	Additional decking, side cab catwalk	Trailer rapid fill system
360 degree swivel trailer light	Diamond plate cab floor	Pneumatic 5th wheel lockout
Premium seating options (swivel, heated)	RH deck access steps	Cab document storage
Rear axle differential lock	Dollymaster, pintle hook options	RH deck access steps
	Trailer hand brake	Autocar autopark system

OPERATORS CONTROLS
Park brake - push/pull
Headlamps
Turn signal - column mounted
Brake pedal (dual pedal optional)
Accelerator pedal
5th wheel height control
5th wheel lock
Transmission gear selector - Push button

CAB INSTRUMENTATION
Cluster with Information/diagnostic display
Speedometer
Engine oil pressure
Coolant temperature
Transmission oil temperature
Fuel level/DEF level
Primary (A) air pressure
Secondary (B) air pressure
Hour meter
Voltmeter

CAB WARNING DEVICES
Park brake
High beam
Turn signal
Low fuel
Low air
Seat belt
DPF
HEST
Filter with water in fuel indicator
Fifth wheel height indicator/lock indicator (optional)