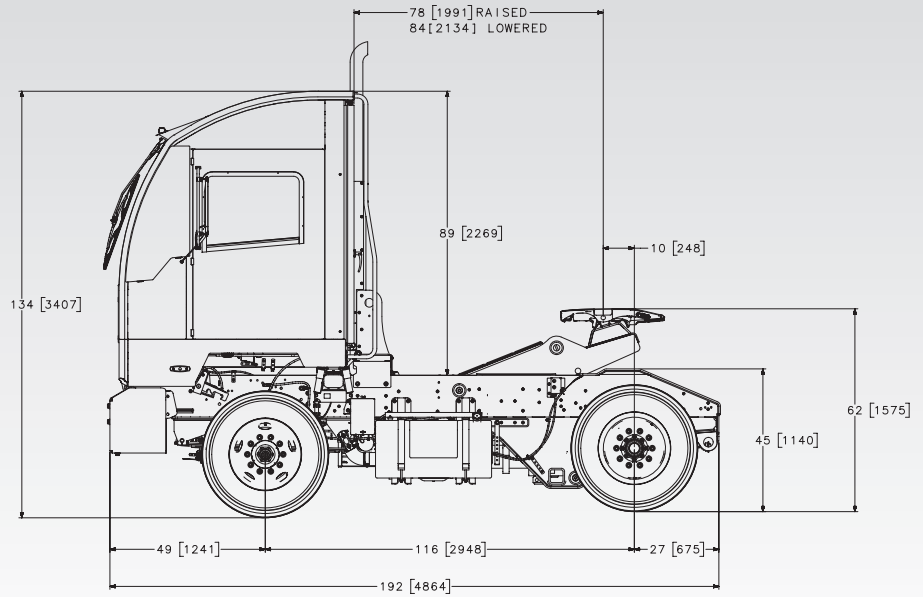
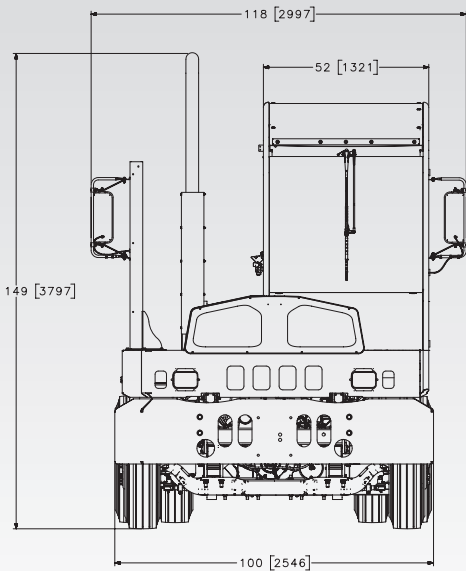




# ACTT 4X2

## AUTOCAR TERMINAL TRACTOR - OFF-ROAD



### ACTT 4X2 OFF-ROAD

Representative Terminal Tractor Specifications.  
Your truck will be custom-engineered for your application

**ALL DIMENSIONS IN INCHES**

ENGINE AND EQUIPMENT	
Engine model	Cummins QSBT4f 146HP @ 2100RPM 620 LB-FT @1500RPM
	Cummins QSBT4f 164HP @2300RPM/540 LB-FT @1500RPM
	Cummins QSBT4f 173HP @2300RPM/620 LB-FT @1500RPM
	Cummins QSBT4f 260HP @2500RPM/730 LB-FT @1500RPM
	Cummins B6.7 200HP @2600RPM/520 LB-FT @1500RPM
	Cummins B6.7 260HP @2600RPM/620 LB-FT @1500RPM
	Cummins B6.7N 200HP @2600RPM/520 LB-FT @1500RPM
	Cummins B6.7N 240HP @2600RPM/560 LB-FT @1500RPM
	Exhaust
Vertical single module DPF/SCR (Cummins B6.7 only)	
DEF	6 gallon DEF tank
	12 gallon DEF tank
Air Cleaner	Donaldson 11 inch two stage
	Donaldson inline precleaner / Donaldson topspin precleaner
Radiator	850 square inch aluminum
Fan & Drive	Direct drive
	Viscous fan clutch
Coolant Hoses / Piping	Silicone hoses with steel tubing
Coolant	Extended life coolant
Engine Equipment	Fleetguard FS 1003 F/W Separator w/probe & dash light
	Fleetguard FS 1003 with heat/Davco 245 with heat
	Engine block heater (750/1000W)/oil pan heater/ engine oil sample port
	Arctic Fox in-tank fuel heater w/thermostat

TRANSMISSION AND EQUIPMENT	
Transmission model	Allison 3000 RDS
	Allison 3500 RDS
Transmission gearing	4-speed
	3-speed
Transmission controls	Allison push button
	Allison T-handle
Transmission cooler	Oil to water type
Transmission lubricant	TranSynd™ synthetic
Driveshaft	Dana Spicer® 1710 half-round

FRONT AXLE AND EQUIPMENT	
Axle model	Meritor MFS Wide track (14,700 lb rated)
	Dana Spicer® E-1322-W (13,200 lb rated)
Front suspension	Flat leaf (14,500 lb rated)
	Flat leaf (18,800 lb rated)
Shock absorbers	Double acting - heavy duty
Power steering	Gearbox, integral steering w/mechanical backup
Power steering reservoir	Integral w/hydraulic tank
Brakes	15 x 4 s-cam
	Optional 16.5 x 5 s-cam
Brake drums	Cast iron
Stack adjusters	Meritor automatic slack adjusters
	Haldex slacks
Front hubs	Iron hub piloted

REAR AXLE AND EQUIPMENT	
Axle model	Meritor S24-160 (single reduction)
	Meritor RS23-186
	Meritor RS30-380
	Sisu 30 S Planetary axle
Rear axle ratio	7.17:1 Ratio based on selected axle & performance
Rear suspension	Solid Rear spring suspension w/aeon cushions
ABS	None (exempt)
	4S4M with and without traction control
Brakes	16.5 x 7 s-cam
Brake drums	Cast iron
Stack adjusters	Meritor automatic slack adjusters
	Haldex slacks
Rear hubs	Iron hub piloted
Gear lubricant	Synthetic

CHASSIS AND EQUIPMENT	
Wheelbase	116 inch
	122 inch
	128 inch
Frame	2.0 million RBM, 50,000 KSI steel, C-reinforced, heavy-duty box frame
	2.0 Million RBM, 50KSI steel, C-reinforced, heavy duty box frame, galvanized coating
Frame fasteners	Grade 8 bolts where possible
Bumper	Steel reinforced bumper
Tow device(s)	Heavy duty reinforced bumper Front & rear tow eyes

PNEUMATIC SYSTEM	
Air compressor	Wabco 18.7 CFM
Air system Drain Valve	Manual petcocks all tanks
	Air manifold with pull cords in all tanks or 1/4 turn valve tank drains
Air lines	Nylon, color coded
Brake system	121 air brake system, front/rear system protection

LIGHTING	
Headlamps	Low/high halogen
	LED headlights, spot-style headlights, direct wired
Backup light, stop & turn signals	LED stop & turn, incandescent backup, shock resistant mount
	LED spot lights, alternate positioning
BOC 5th wheel light	Incandescent, shock resistant mount
	LED BOC light

5TH WHEEL AND HYDRAULIC SYSTEM	
5th wheel	SAF/Holland 80,000 lb semi-oscillating 16 inch lift
	SAF/Holland 100,000 lb semi-oscillating 16 inch lift
Hydraulic lift cylinders	(2) 5 inch 50,000 lb capacity, upper & lower spherical bushings
	Limited lift height cylinders
Hydraulic tanks	15 gallon steel tank w/sight glass
Pump	Engine mounted
	Chelsea PTO 280-5RK

TRAILER EQUIPMENT	
Air connections	15 ft straight rubber trailer hoses w/spring hanger
	12 ft color coded coiled w/ glad-hands (break-away) glad-hands), color coded gladhand extensions
7-way electric cable receptacle	12 ft electrical cable
	15 ft electrical cable

TIRES AND WHEELS	
Front tires	295/75R22.5 Low-Pro Double Coin (11R/280/275)/Goodyear, Michelin, Continental
	Steel 22.5" x 8.25" hub piloted, 285mm BC
Front wheels	22.5" x 8.25" Steel 2 HH wheel, customer supplied wheels/tires
Rear tires	295/75R22.55 Double Coin (11R/280/275)/Goodyear, Michelin, Continental
	Steel 22.5" x 8.25" hub piloted, 285mm BC
Rear wheels	22.5" x 8.25" Steel 2 HH wheel, customer supplied wheels/tires V2B flow through valve caps

ELECTRICAL SYSTEM	
Electrical system	12V, negative ground
Alternator	Delco 160 AMP, 28SI w/remote sense pad mount
	Mitsubishi 12V 160 AMP pad mount
Starter	Delco Remy 31MT
	Denso 12V
Batteries	(2) group 31 750 CCA (min)/1500 CCA total
	1900CCA, 2000CCA, 3000CCA, AGM batteries 1800CC, 2300 CCA
Circuit protection	Fused circuits
Windshield wipers	Single electric (pantograph) w/o washer
	Washer, intermittent (pantograph)
Backup alarm	Non-motion detecting
	Motion detecting, CA compliant, or White noise
Horn	Single electric
Telematics	Autocar Advanced Telematics - full installation

CAB AND EQUIPMENT	
Cab construction	Electrocoated (e-coated) steel, full cab immersion (rust prevention coating)
Cab dimensions (outside)	Raised roof, 52" wide x 71" deep (w/o rear door) x 78" high (deck to roof)
Cab doors	Left side hinged door w/manual crank window, aluminum sliding rear door
	Rear door protector
Rear door opening (useable)	24" wide x 72" high
Cab floor	Sweep out floor w/durable mat
Cab dash	Steel wrap around
Overhead console	Steel
Cab mounting	4 point, rear dual (2) air suspensions
	3-point spring
Cab tilt	Electric over hydraulic
Windshield	Tinted, tempered
	Laminated windshield
Rear glass	Tinted, tempered
	Laminated, Premier high impact-resistant window
Mirrors	Dual west coast mirrors
	Heated primary, motorized primary, convex
Cab climate control system	44,000 BTU fresh air heater
	Air conditioning
Steering column	Fixed
	Tilt/telescopic
Steering wheel	18 inch 2-spoke
Seat	Air suspension, mid-back without fore/aft isolation
	Air suspension, mid-back with fore/aft isolation
Seat covering	Black Cordura Plus® cloth fabric
	Vinyl seat cover
Seat belt	2-point black
	3-point orange extended length
Dome light	Switch on dash
Power ports	(1) 12V & 2 USB
Sun visor	Translucent
Air Horn	Mounted top right side of cab

# ACTT 4X2

AUTOCAR TERMINAL TRACTOR - OFF-ROAD

## FUEL SYSTEM

Fuel tank	50 gallon steel round mounted left side
	50 gallon step tank, 50 gallon aluminum round
	Prep for CNG or LNG tanks (W/Cummins B6.7N option)
Fuel filter	Cummins
Fuel lines	SAE J844 nylon

## PAINT

Cab	White
	(Customer specific colors)
Chassis	Black
	(Customer specific colors)
Bumper	Black
	(Customer specific colors)
Wheels	White powder coat
	(Customer specific colors)

## BASIC WARRANTIES

Autocar terminal tractor	1 year or 3,000 hours whichever occurs first, parts & labor
Frame	7 years or 20,000 hours whichever occurs first
Cummins industrial engine	QSB - 2 years parts & labor (2,000 hours)
Allison transmission	3 years parts & labor
	5 year optional
Dana axles	3 years parts & labor
Meritor axles	(24-160 only) 6 months, parts only
	2 years parts & labor

## VEHICLE RATINGS

Vehicle tare weight, front	
Vehicle tare weight, rear	
GAWF	14,500 lbs
GAWR	30,000 lbs
GCW	80,000 lbs

## OPTIONAL EQUIPMENT

Air Dryer (ADIP, AD-9, Wabco1200)	7-way electric trailer cable	Translucent sun visor
Fuel/water separator w/heater	Glad-hand and 7-way cable storage	Cab fan(s)
Engine block heater	Battery disconnect switch	AM/FM radio/CD w/aux input, speakers & antenna
Oil pan heater	Air restriction indicator w/dash light	5# ABC fire extinguisher
Beavertail/frame extension/kingpin guides	Spot/work/flood lights	Triangle kit
Rear axle mudflap (front/rear)	Training seat	Air horn
Front axle mudflap	LED marker lights	Additional instrumentation
Rear flexible fenders	LED side turn signal lights	No driver door
Trailer stops/full cab guard	Auto lube systems	Lever start, no key/pushbutton start
Glad hand buckets	Dock bumpers (cab)	Double blink strobe light, other strobe/beacon options
Fender skirt/splash protector	Additional decking, side cab catwalk	Trailer rapid fill system
Additional engine tunnel insulation	Diamond plate cab floor	Pneumatic 5th wheel lockout
360 degree swivel trailer light	Dollymaster, pintle hook options	Cab document storage
Premium seating options (swivel, heated)		RH deck access steps
Rear axle differential lock		Autocar autopark system

## OPERATORS CONTROLS

Park brake - push/pull
Headlamps
Turn signal - column mounted
Brake pedal (dual pedal optional)
Accelerator pedal
5th wheel height control
5th wheel lock
Transmission gear selector - push button

## CAB INSTRUMENTATION

Cluster with information/diagnostic display
Speedometer
Engine oil pressure
Coolant temperature
Transmission oil temperature
Fuel level/DEF level
Primary (A) air pressure
Secondary (B) air pressure
Hour meter
Voltmeter

## CAB WARNING DEVICES

Park brake
High beam
Turn signal
Low fuel
Low air
Seat belt
Regan
HEST
Air restriction indicator
Filter with water in fuel indicator
Fifth Wheel height indicator/lock indicator (optional)