

# Autocar<sup>®</sup> ACX<sup>®</sup> Severe-Duty Refuse Truck



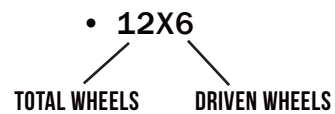


# Chassis Configurations

Autocar's pre-engineered chassis with multiple layout offerings provide custom-designed tools for any application. Auxiliary axle options are available for your desired configuration.

## Chassis

- 4X2
- 6X4
- 8X4
- 8X6
- 10X4
- 10X6



## Frame Rails

- Straight
- Drop Frame



ACX 6X4 STRAIGHT FRAME



ACX 6X4 DROP FRAME



ACX 12X6 STRAIGHT FRAME

# Door Configurations

Autocar's purpose-built products create an operator-focused cab environment that promotes driver productivity, and comfort. Available in Right-hand Stand-up (RHS) and Standard door layouts and four different driving options. RHS door offers superior driver visibility because of its narrow width and ability to fold directly against the cab eliminating the blind spot present on competitor door layouts.



ACX RIGHT-HAND STAND-UP DOOR



**WIDE GRAB HANDLES**  
strategically placed as a result of vigorous driver testing

**BROAD CAB ENTRY**  
custom standards allow a generous amount of space to support the driver's ingress and egress

**ADJUSTABLE SEAT**  
enables the driver to choose their level of comfort

**LOW ENTRY STEP**  
designed for accessibility for ease of entry and exit



# Galvannealed Steel Cab

Visibility, comfort, and durability make the ACX cab the preferred severe-duty workspace in refuse. Autocar offers a severe service cab with all-welded steel construction for strength, weight savings, and driver safety.

## DOOR HINGE FASTENERS

automotive door hinge system on standard doors has no visible exterior hinge to rust or freeze in inclement weather



## INGRESS AND EGRESS

lower step height, closer to ground level, reduces driver fatigue for routes with multiple enters and exits

## QUICK-CHANGE GRILLE

takes less time to maintain the cool pack and allows for significant clearance for front end PTO



## ALL STEEL CAB

is more robust than aluminum featuring two-sided galvanized steel. Its rivetless construction requires less maintenance

## CAB GUARD

bars around windshield and top of cab are present on residential and commercial front end loaders to protect from canister

## BREAKAWAY LED TURN SIGNALS

turn signals extend outward for additional visibility, and LED light offers greater energy efficiency than halogen



## INSULATION OVER ENGINE

prevents engine heat from entering the cab in hot weather

# Roomiest Cab Available

Greatest comfort for drivers of all sizes. 1 to 1.5 inches of extra hip space and 1.15 to 1.75 inches of extra lateral foot space. Autocar leads in overall operator space in comparison to competitors.

## INSULATED CAB

tested to keep drivers comfortable in extreme cold and heat - up to 120 degrees, and lower interior noise

## 7" SMART DASH DISPLAY

engineered to minimize driver distraction and help technicians get your truck back on the job faster

## ADJUSTABLE STEERING WHEEL

tilt and reach -adjustable allows for easier operation and more belly room



## CORNER WINDOWS

enhances side visibility (especially on ASL)

## A-PILLAR INSERTS

makes it easier and faster to maintain harnesses and reduces downtime

## NO CONTROL BOXES

custom-engineered configurations eliminate body control boxes from the cab interior for better driver visibility

## DRIVING CONFIGURATIONS

standup RH drive, seated RH drive, dual drive, or passenger seat - all custom-engineered for driver comfort and productivity

## WRAPAROUND WINDSHIELD

contributes to 325-degree driver visibility and its two-piece construction simplifies maintenance





# The Always Up 7" Smart Dash Display

Autocar's Smart Display is engineered to reinforce driver focus and expedite problem-solving for technicians. Drivers have different mode options to select their preferred level of information to minimize distraction. Electrical diagnostic time can be reduced with Autocar "One Touch" guided diagnostics.

## For Drivers

- Drivers can select the gauges and info they want displayed
- Multi-tier Level Warning System pre-emptively makes the driver aware of changing conditions on the truck before its critical



**FOCUS MODE** only displays gauges and key information

## For Technicians

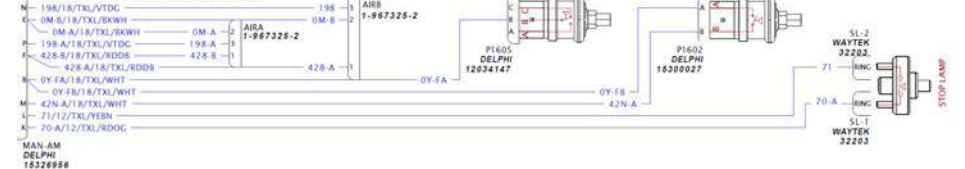
- Provides electrical diagnostic/report of failed fuses or circuits
- Access to service, body builder, and operator manuals
- Easy access to wiring schematics and 3D diagrams



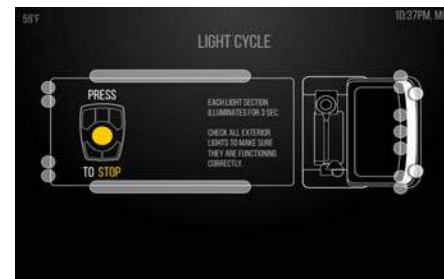
**ONE TOUCH DIAGNOSTICS: ROTARY ENCODER**  
interface tool that controls smart dash



### MANIFOLD HARNESS



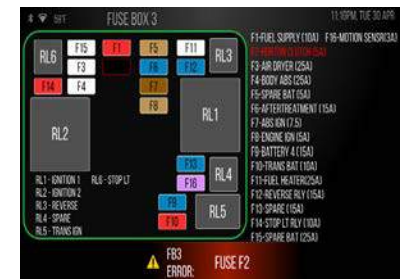
**NO DISTRACTION MODE**  
reduces distractions by only populating gauges as required



**LIGHT CYCLE TEST**  
driver can check all lights with automated light sequence



**SMART FUSE BOXES**  
shows fuse and relay faults live



**SMART FUSE BOXES**  
real-time relay and fuse statuses

# Best in Class Routing and Clipping

70% of truck-down situations are electrical failures, which challenged Autocar to set a new industry standard for harness wiring. The new method maintains the truck's integrity by eliminating external harnesses and drilling holes in the cab.

## Pass-Through Harness Wiring

- Breathable harness coverings for better protection to keep out water, dirt and chemicals
- Clips and hangers keep the wiring from rubbing against the frame, helping to prevent electrical shorts
- Water sealed connectors in easy to reach locations for fault finding, diagnostics and body integration
- Elimination of over 80 lbs of wiring simplifies maintenance and optimizes legal weight payload up to 1,000 lbs.
- Two engineered harness pass-throughs make troubleshooting easier to perform, reduce likelihood of maintenance errors

### IMPROVED ROUTING

harnesses are clamped away from the bottom frame flange to protect from dirt build-up



### FMM COOLANT LINE INSULATION

coolant lines are insulated as part of the prep for the CNG System

### HELLERMAN TITAN CLAMPING

used to support harness every 12"



### COLOR-CODED AIRLINES

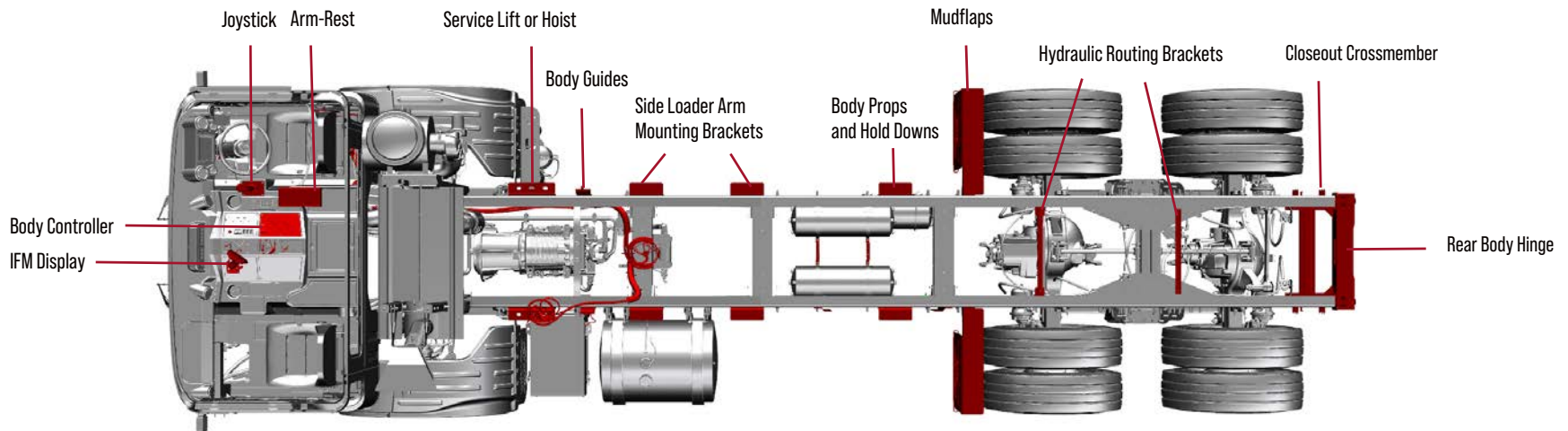
airlines are color-coded for ease of fault finding

# Power of One® Integration

Autocar partners with willing body companies to deliver the highest level of body integration in the industry. Power of One Integration ensures a fully integrated, production-ready tool for seamless body mounting. This collaboration is a breakthrough process that eliminates the need for chassis modifications and produces an assembled solution for the customer's needs.

## Industry Leading Body Integration

- Collaborating with body builders to integrate key body mount features, facilitating clean body installation and uptime
- All body components are installed during production process with full OEM quality-- delivering ready-to-work trucks faster
- Chassis are laser cut to the required length with the desired rear cutoff, allowing the installation of the body to be exact
- Body-integrated holes are punched, not drilled, which eliminates welding and preserves the truck's integrity

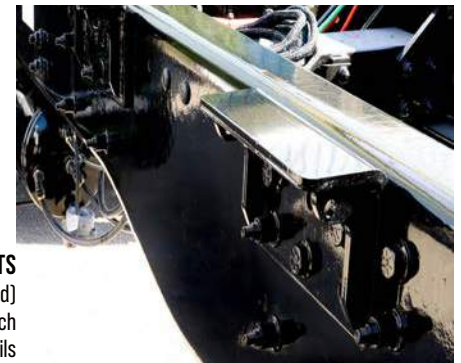


### FACTORY-INSTALLED BODY CONTROLS

factory integration of critical body controls, body builder harnesses, and camera systems avoid the need to tear cab apart

body controls are clean and unobstructed, removing clutter that confuses the operator

AUTOCAR® ACX®



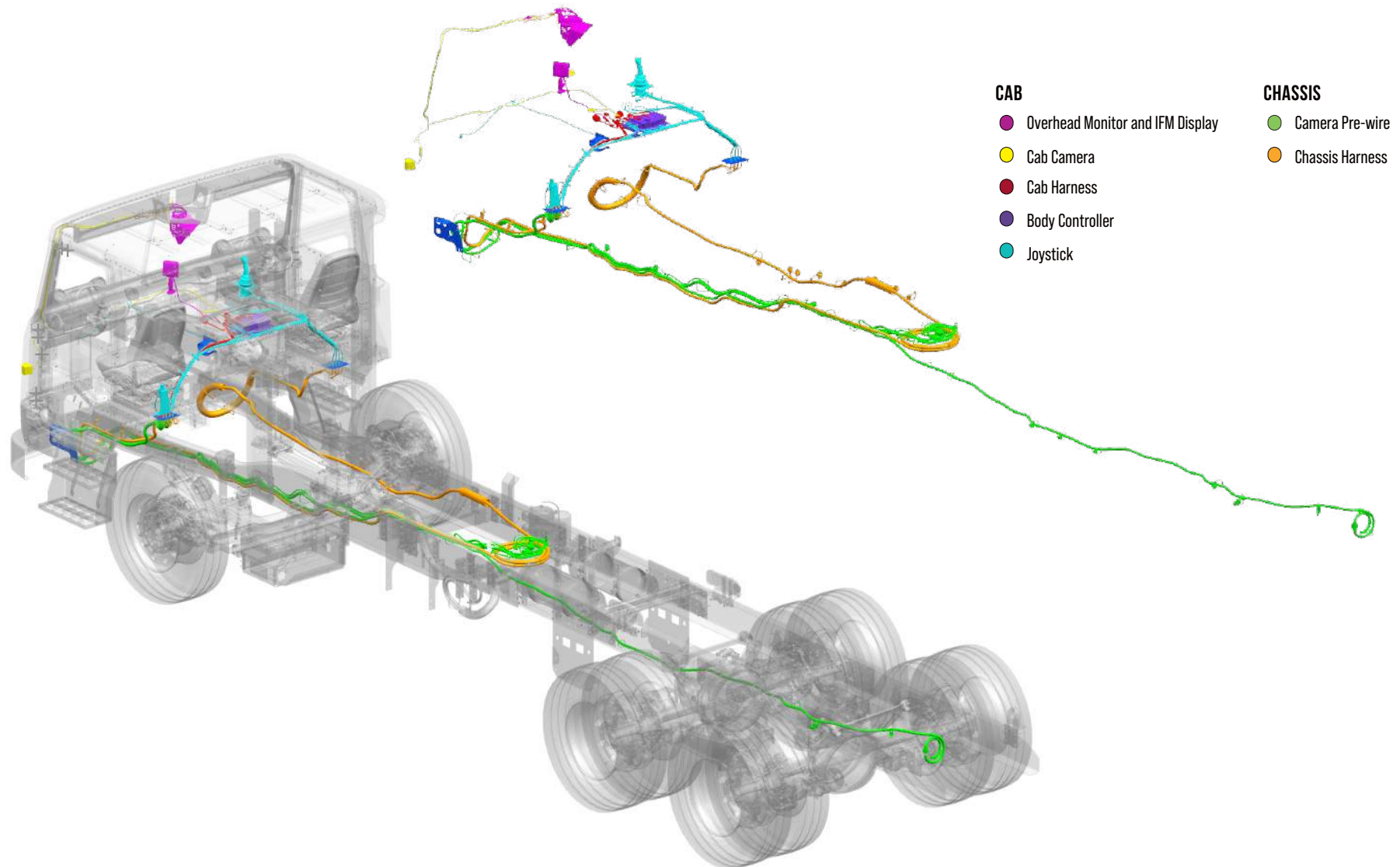
### HUCK BOLTED BODY COMPONENTS

body components are huck-bolted (not welded) onto frame rails in the correct locations, which avoids misplacement and damage to the rails



## Industry Leading Electrical Integration

- Body builder and Autocar harnesses are installed together, which helps avoid need to disassemble cab
- Autocar provides body builder connections, so harnesses do not need to be spliced or tabbed
- Expedited body mounting with no cutting protects chassis and cab quality for increased reliability
- All the electrical harnesses are installed together, eliminating the risk of loose connectors or drilled access holes
- Factory installation of critical electrical harnesses and data cables establishes predictability to the body mount cycle

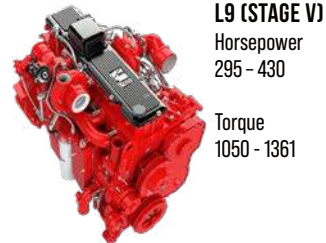
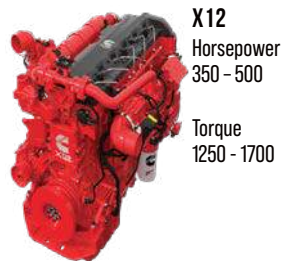


# Industry's Best Performance Engines and Aftertreatment

Cummins' Single Module™ system combined with our convenient service locations expedites inspection time. Aftertreatment is designed to be up to 60% smaller and 40% lighter than preceding aftertreatment systems. Cummins offers fuel economy, low operating costs, and an extensive service network.

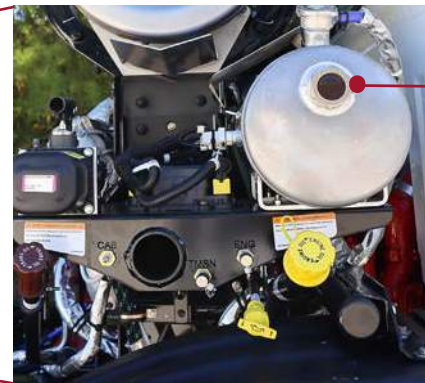
## Cummins Engines

- Exceptional performance in diesel and compressed natural gas options with leading power-to-weight ratio
- Improved fuel efficiency and extended maintenance intervals provide a low cost of ownership per mile
- Simple to maintain and serviceable modular design with factory-ready connected solutions
- Single module aftertreatment is more efficient and requires fewer active regens



## Cummins High Efficiency Aftertreatment System

- Advancements in catalyst technologies have allowed the diesel particulate filter to have a bigger ash capacity
- Daily service inspection items are always located in the same place, allowing for faster pre-trip checks
- Fluid check and fill locations are grouped together to facilitate ease of access during inspections
- Larger sight glass gives a better view of the coolant level to prevent over or under-fill situations



SIGHT GLASS



# Compressed Natural Gas (CNG) Integration

Autocar is the only OEM chassis manufacturer that provides CNG-ready installation direct from its factory. Factory-installed and tested means you have Autocar-backed performance, which certifies functionality, and reduces maintenance time. Autocar is currently running its fourth generation of CNG engines.

## Industry Leading Fuel Management Module (FMM) Preparation



### ACX FMM SETTINGS

7" Smart Dash Display is pre-configured for various FMM connections, eliminating the need to install suppliers' gauges



### ACX FUEL RECEPTACLE OPEN ERROR MESSAGE

diagnostic and Fuel Management Modules (FMM) are installed to allow the operator to monitor engine performance and gas usage



### ACX FMM CONNECTOR AND COOLANT LINES

CNG-specific connector is positioned to connect to the FMM without splicing into wiring harnesses, and pre-engineering establishes that the coolant hoses are sized correctly and run from their corresponding port

### CNG ACX WITH A TEMPORARY (PONY) TANK

before the truck is sent to the CNG provider, the temporary tank is connected to the FMM kit, and a quality inspection is performed



### CUSTOMIZED SOLUTIONS

guarantee your truck is ready for all types of CNG installations: Cabinet, Frame Rail, Rooftop, Tailgate



ACX FRAME RAIL INSTALL



ACX CABINET INSTALL

# Steering and Maneuverability

ACX has the best turning circle in the industry, featuring the best-in-class turning radius and wheel cut. A tighter turning radius and larger wheel cut reduces backup situations and allows drivers to maneuver more easily in confined residential areas. The ease of steering with the Autocar ACX reduces cycle time and increases driver maneuverability during their route.

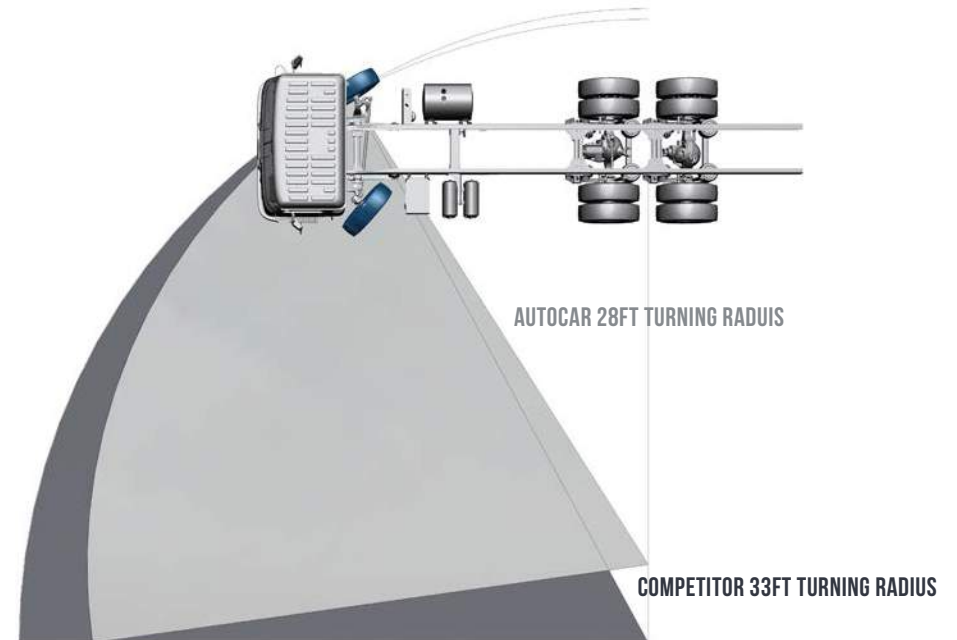
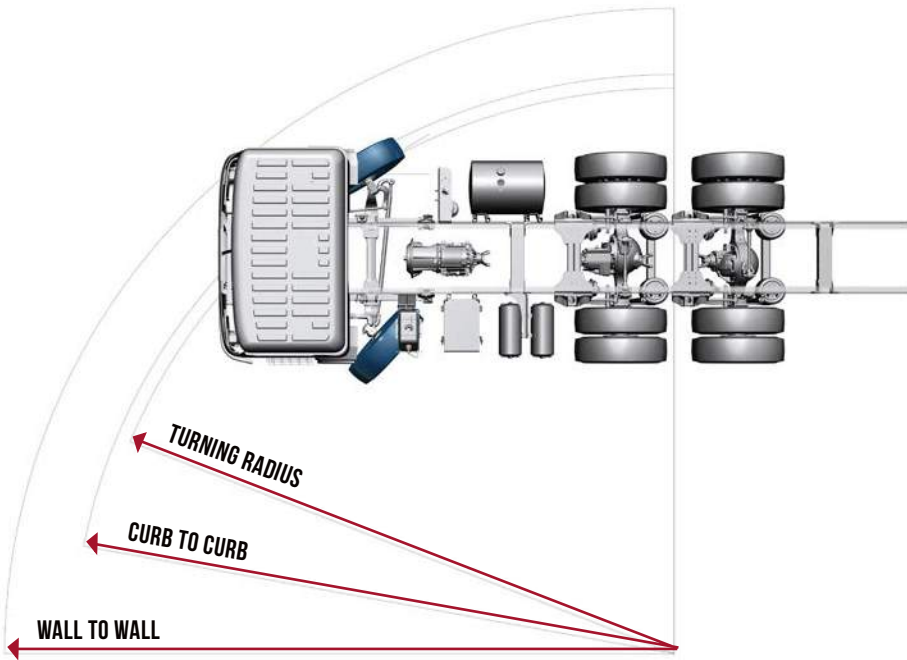
## Autocar ACX

48° Wheel Cut  
28ft Turning Radius  
29ft Curb to Curb Radius  
32ft Wall to Wall Radius

VS.

## Competitor

37° Wheel Cut  
33ft Turning Radius  
34ft Curb to Curb Radius  
36ft Wall to Wall Radius



CONFIGURATION USED: Wheelbase 204" | Tire Size 315/80R 22.5L | Wheel 22.5 X 9.0 Aluminum, 3.12" Inset



# Advanced Driver Assistance System (ADAS)

The Waste Collection Industry is among those with the highest rates of fatal work injuries (Bureau of Labor Statistics). To address this challenge, Autocar partnered with WABCO to develop a new standard of security for drivers. An Autocar ACX with ADAS empowers drivers with six advanced and embedded safety features.

## ELECTRONIC STABILITY CONTROL SYSTEM (ESC) AND ROLLOVER STABILITY CONTROL SYSTEM (RSC)

1. ESC - actively intervenes when the vehicle is understeering or oversteering in order to maintain vehicle stability
2. RSC - actively intervenes when the vehicle is at risk of a driver induced roll over event



## ADVANCED EMERGENCY BRAKING SYSTEM (AEBS) AND FOWARD COLLISION WARNING (FCW)

3. AEBS - vehicle detects impending collision and actively engages emergency brakes
4. FCW - driver visibly and audibly warned of impending collision



## STATIONARY MERGE ASSISTANT (SMA) AND BLIND SPOT DETECTION (BSD)

5. SMA - visibly and audibly warns the driver of a vehicle in blind spot at 0 mph
6. BSD - flashing light located on the A-pillar warns the driver of a vehicle in blind spot



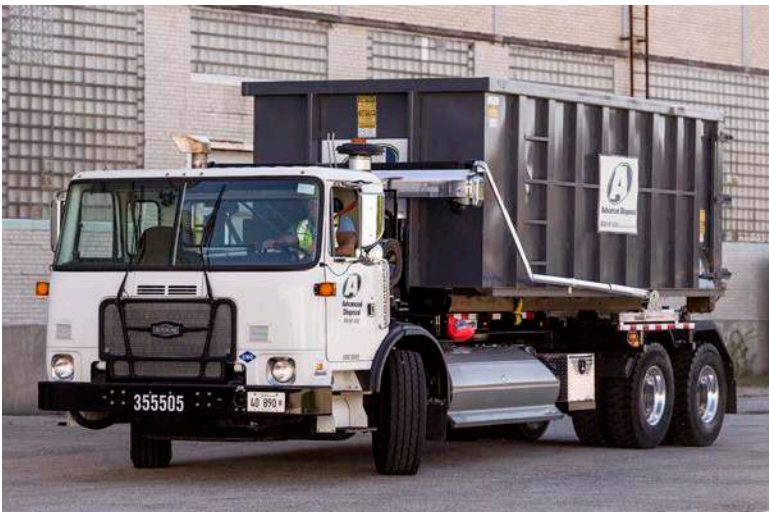
No system is fail-proof. Driver attention is required at all times. ADAS does not replace an alert and trained operator. Operators should monitor surroundings, vehicle speed and position at all times.



ACX REAR LOADER



ACX AUTOMATED SIDE LOADER



ACX ROLL-OFF



ACX FRONT LOADER

Discover more at [autocartruck.com/acx](http://autocartruck.com/acx) or call 833.857.0200