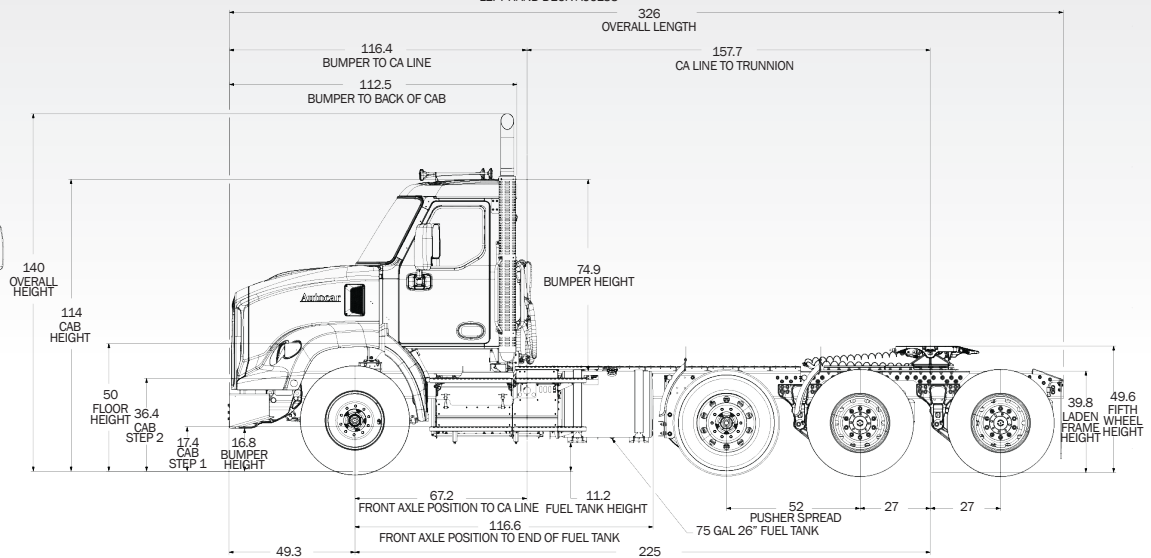
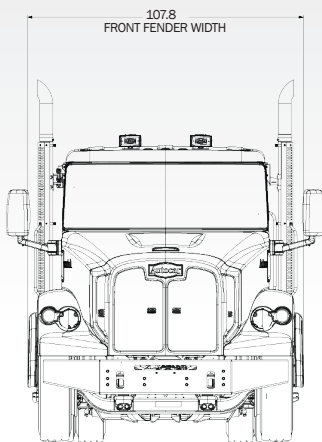
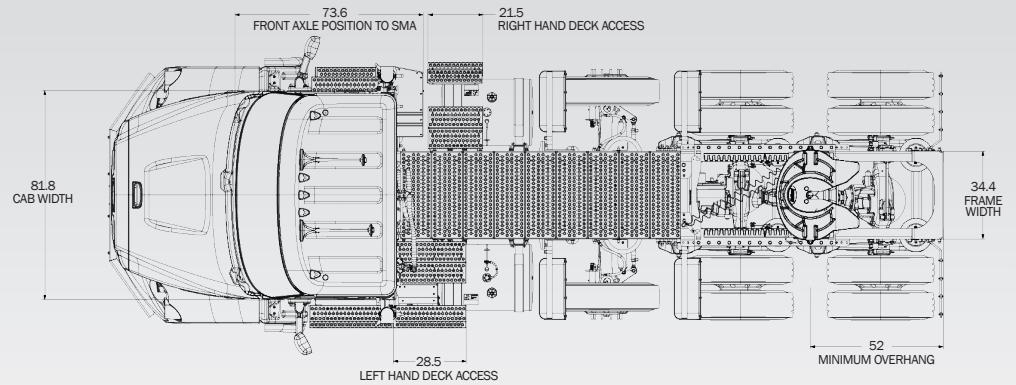




DC-64T™

THE BADASS® SEVERE-DUTY CONVENTIONAL DAY CAB TRACTOR

DC-64T
 Representative
 Tractor Specifications.
 Your truck will be
 custom-engineered for
 your application
ALL DIMENSIONS IN INCHES



CONFIGURATION	BASE MODELS / STANDARDS
	DC-64 - Class 8 Day Cab Tractor Applications
Steering	Single left hand drive w/dual and single M100 Sheppard gears
BBC	112.7"
FOH / Bumper to C/L Front Axle	49.3"
CA / CT	Wheelbase minus 63.1"
FAWR	STD: 18,000- 20,000
RAWR	STD: 40,000- 52,000
GVWR	STD: 58,000- 80,000
GCWR	80,000/100,000/120,000 or higher on approval
Wheelbase	STD: 171" - 297"
*Est. Base Model Chassis Weights(Lbs.)	
Front Axle *	11,500
Rear Axle *	9,500
Chassis Total*	*Weight will vary w/ wheelbase, RFOH and optional equipment specified

CHASSIS SPECIFICATIONS	
Construction	160 KSI "C"-channel ladder, huck bolted
Wheelbase	171"- 297"+ (3" increments)
AF / RFOH Length	52" Min. - 100"+ (application specific rear cut)
Frame Rail Dimensions	Frame flange: 4.1" Frame thickness: 7/16"
Frame Rail Dimensions-STD	10.875" RBM: 3.7M LBF.IN (160 KSI) - 5.15M LBF.IN w/liner(120KSI)
Option #1	11.25" RBM: 3.9M LBF.IN (160 KSI) - 5.41M LBF.IN w/liner(120KSI)
Option #2	12.25" RBM: 4.4M LBF.IN (160 KSI) - 6.12M LBF.IN w liner(120 KSI)
Front Tow Loops	2 recessed behind front bumper, 80,000 lbs towing capacity
Fuel Tank Size	Unpainted or polished aluminum 45-125 gal. - 26" diameter
Location, Fuel Tank(s)	LH standard with optional RH frame mounted option for dual tanks
Fuel/Water Separator - Heated (Opt).	Fleetguard FS series/Davco with optional heat & H2O probe

DC-64T SPECIFICATIONS

DRIVE SPECIFICATIONS	6X4
Engine - Diesel	Cummins X12
Available Diesel HP Ratings	X12: 350-500 hp
DEF Tank Capacity / Location	12 gallon in front of fuel tank driver side
Air Compressor	Cummins Wabco 25.9 CFM
Air Dryer	WABCO 1800 P with purge tank /1200P Optional
Starter	Delco 39MT w/OCP
Alternator	Delco 160/200 AMP
Batteries	(3) 2250/2850/3000/3800 CCA, Group 31 ESL M/F
Transmission	Allison 4500/4700
Number of Speeds	1 Reverse, 6 forward (4500) / 2 Reverse, 5, 6 or 7 forward (4700)
Transmission Shifter	Dash mounted
Driveshafts	Dana-spicer SPL250 Lite with half round yoke
Radiator	1,380 square inch down flow
Charge Air Cooler	12 FPI - for less clogging. Welded, aluminum construction
Air Cleaner Size	Opti-air 1300 series, integrated pre-cleaner, safety filter optional
Exhaust Outlet Location	RH curb side horiz. diffuser or vertical stack

FRONT AND REAR AXLES	
Front Axles	Hendrickson Steertek NX 13,200/14,600/18,000, 20,000 lbs. Standard Single Sheppard Steering Gear w/ option for dual M100 steering gears
Wheels	22.5x8.25" through 22.5x13" Steel disc and polished aluminum (var.)
Tire Size	11R22.5 (H) through 425/65R22.5 (var.)
Front Brakes	Meritor EX-225 air disc brakes
Front Suspension (Spring)	Hendrickson tapered leaf springs rated 13,200/14,600/18,000 / 20,000 lbs.
Rear Axles	Meritor MT40-14 / RT46-164EH / RT46-160 / RT52-185 * Upon approval
Steel Disc Wheels - Hub Piloted	22.5x8.25" through 24.5x8.25" Steel disc
Tire Size	11R22.5(H) through 315/80R22.5 (L), including 24.5" wheels (var.)
Rear Brakes	Meritor 16.5"x7 / 8.62" drum or EX-225 air disc brakes
Rear Suspension - Air Ride	Hendrickson PAX-462 air ride
Optional / Rear Suspension	HMX-EX400/HMX-EX460/HMX-EX520 * Upon approval
Brake System - Chassis	FMVSS 121, Dual air brake - ABS 6S/6M
ABS / ESC Systems	WABCO 6S/6M - ESC

CAB SPECIFICATIONS	
Construction	Welded and stamped steel construction w/ aluminum corner castings, E-coated prior to painting
Windshield	One piece, raked for visibility, laminated and curved
Cab Glass	Tempered safety, tinted (VLT 75%)
Windows, Cab Door	Power windows and opt. electric door locks
Cab Floor	Heavy duty abrasion resistant mat with optional aluminum diamond plate insert at heel point.
Cab Suspension	Twin air bag suspension w/lateral stabilizer bar
Steering System	Twin Sheppard M100 gears, power assist.
Steering Column	Tilt/telescopic w/integral turn signal
Steering Wheel	18" diameter, polyurethane or black leather with red stitching wrapped wheel, 2 spokes powder coated black or chrome
Cab Mirrors	Door mounted 14x7" main mirror and 4x3" convex mirror with break-away head, black or chrome housing, power/heated/marker light options
Seating Configuration	2 or 3 person (bench seat)
Seat - Driver / LH	Bostrom T914 air ride mid/hi-back with manual lumbar and optional arm rest, black mordura
Seat - Passenger / RH	Same as driver wth optional 2-person low back bench seat
Seat Belts	3 point, over shoulder and lap, adjustable shoulder height
Air Conditioning, Cabin	Standard, w/4 dash and 2 under-dash vents
HVAC System	Standard, integral high capacity system with self cleaning in-cab cabin filter service access. HVAC controller with rotary controls. 360 degree adjustable vents. Fresh air and recirculating type with variable 4 speed fan
Instrumentation	Comprehensive and customizable selection of analog and soft gauges. Plus, Autocar's revolutionary 7" digital display which shows any gauge with an out-of-standard condition, several modes including a "No-Distracton" mode for safety, and One-Touch Diagnostics to speed resolution of maintenance issues or fault conditions.
Front Bumper	Painted or chromed steel w/integral fog light option
Headlights	LED round
ICC Marker and Turn	LED
DOT Certification	FMVSS standard, CMVSS optional
Paint, Cab (White - Std)	Interior steel surfaces painted exterior color
Paint, Chassis	Semi-gloss black, polyurethane, optional colors available

* Various options are available, please consult with our Autocar Sales Team

ENGINE MODELS	MAXIMUM HP	MAXIMUM TORQUE	GOVERNED SPEED
Cummins X12 DIESEL	350HP	1350 LB-FT	2000 RPM
	380HP	1450 LB-FT	
	410HP	1450 LB-FT	
	430HP	1650 LB-FT	
	455HP	1550 LB-FT	
	475HP	1700 LB-FT	
	500HP	1700 LB-FT	