



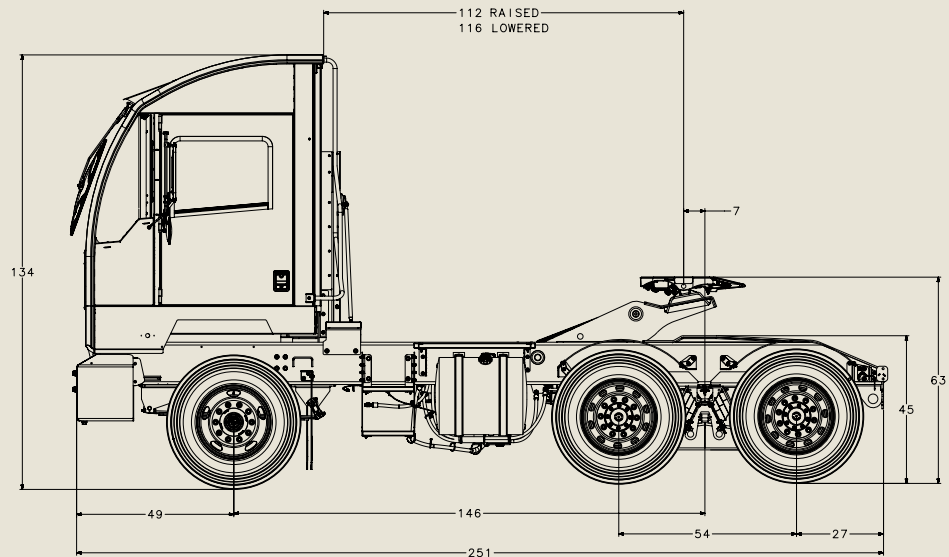
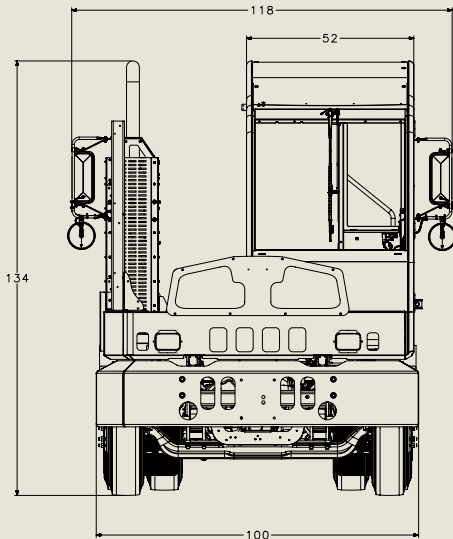
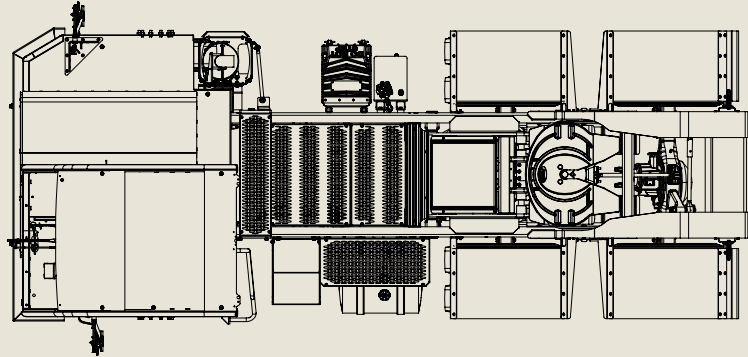
ACTT[®] 6X4

AUTOCAR TERMINAL TRACTOR • DOT/EPA COMPLIANT

ACTT[®] 6X4 DOT/EPA COMPLIANT

Representative Terminal Tractor Specifications.
Your truck will be custom-engineered for your application

ALL DIMENSIONS IN INCHES



ENGINE AND EQUIPMENT	
Engine model	Cummins B6.7 200HP@2400 RPM / 600LB-FT@1600 RPM Cummins B6.7 260HP@2400 RPM / 660 LB-FT@1600 RPM
Exhaust	Vertical single module DPF/SCR, right side mounted turned out stack
DEF	6 gallon DEF tank 12 gallon DEF tank
Air Cleaner	Donaldson 11 inch two stage
Radiator	850 square inch aluminum

ENGINE AND EQUIPMENT (CONTINUED)	
Fan & Drive	Viscous fan drive Electronic controlled Horton RCV250
Coolant	Extended life coolant
Engine Equipment	Parker 490RPDC / 4400 Fuel Filter Fleetguard FS Series Fuel filter
	Davco Fuel Filter
	Engine Block / Oil Pan heater
	Oil sample port
	Arctic Fox in tank fuel heater

Bold - standard configuration

TRANSMISSION AND EQUIPMENT	
Transmission model	Allison 3000 RDS Allison 3500 RDS
Transmission gearing	2 - 6 Speed (Application based)
Transmission controls	Allison Push Button Allison T-Handle Shifter
Transmission cooler	Oil to water type
Transmission lubricant	DuraDrive 668
Driveshaft	Dana Spicer® 1710 half-round

FRONT AXLE AND EQUIPMENT	
Axle model	Meritor MFS Wide track (14,700 lb rated)
Front suspension	Flat leaf (14,500 lb rated) Flat leaf (18,800 lb rated)
Shock absorbers	Double acting - heavy duty
Power steering	TAS 65 Power Steering Gearbox
ABS / ESC	FMVSS Exempt up to 33mph ABS 4S4M or 6S4M with or without Traction Control
Power steering reservoir	Integral w/hydraulic tank
Brakes	16.5 X 5 Q plus
Brake drums	Cast iron
Stack adjusters	Meritor automatic slack adjusters
Front hubs	Conmet Preset plus steel hub, 285MM BC

REAR AXLE AND EQUIPMENT	
Axle model	Meritor MT40 - 14X
Rear suspension	Hendrickson HN-460 46000 lbs cap 54 Inch spread
ABS / ESC	FMVSS Exempt up to 33mph ABS 4S4M or 6S4M with or without Traction Control
Brakes	16.5 x 7 Q Plus
Brake drums	Cast iron
Stack adjusters	Meritor automatic slack adjusters
Rear hubs	Conmet Preset plus steel hub, 285MM BC
Gear lubricant	Synthetic
Axle Anti Spin Devices	Full Locking Diff with Momentary Switch Available

5TH WHEEL AND HYDRAULIC SYSTEM	
5th wheel	SAF/Holland 80,000 lb semi oscillating 16 inch lift SAF/Holland 100,000 lb semi oscillating 16 inch lift
Hydraulic lift cylinders	(2) 5 inch 50,000 lb capacity, upper & lower spherical bushings Custom lift height cylinders
Hydraulic tanks	15 gallon steel tank w/sight glass
Pump	Engine mounted PTO Driven Pump

CHASSIS AND EQUIPMENT	
Wheelbase	146 Inch
Frame	2.0 Million RBM 3/8 Inch X 13 Straight Steel
Bumper	Steel reinforced bumper Heavy duty reinforced bumper
Tow device(s)	Front & rear tow eyes PH-30RP41 Pintle Hook
Tail	Taper Steel Taper Steel with 14 Inch extensions W or WO Guide Plates Steel Beavertail W or WO Guide Plates
Lubrication System	Auto Lubrication system

CAB AND EQUIPMENT	
Cab construction	Electrocoated (e-coated) steel, full cab immersion (rust prevention coating)
Cab dimensions (outside)	Raised roof, 52 Inch wide x 71 Inch deep(w/o rear door) x 78 Inch high (deck to roof)
Cab doors	Left side hinged door w/manual crank window, aluminum sliding rear door
Rear door opening	24 Inch wide x 72 Inch high
Cab floor	Sweep out floor w/durable mat
Cab dash	Steel wrap around
Overhead console	Steel
Cab mounting	4 point, rear dual (2) air suspensions
Cab tilt	Electric over hydraulic
Windshield	Tinted, laminated windshield
Rear glass	Tinted, tempered Laminated, premier high impact-resistant window
Mirrors	Dual west coast mirrors with retractable arms
Cab climate control system	44,000 BTU with heater AC unit access panel in front of Cab
Steering column	Fixed Tilt/Telescopic
Steering wheel	18 inch 2-spoke
Seat	Seats inc Mid back Air Ride Bostrom T915 High/Mid back Air Ride National 2000 High/Mid back Air Ride
Seat covering	Black Cordura Plus® cloth fabric Vinyl Seat cover
Seat belt	3-point orange extended length
Driver Display	Cluster with Information/diagnostic display
Electrical	Modular color coded wires
Brake control	Autopark function available

TIRES & WHEELS	
Tires	295/75R22.5G
Wheels	22.5X8.25Inch Steel, HP, 5HH

Bold - standard configuration