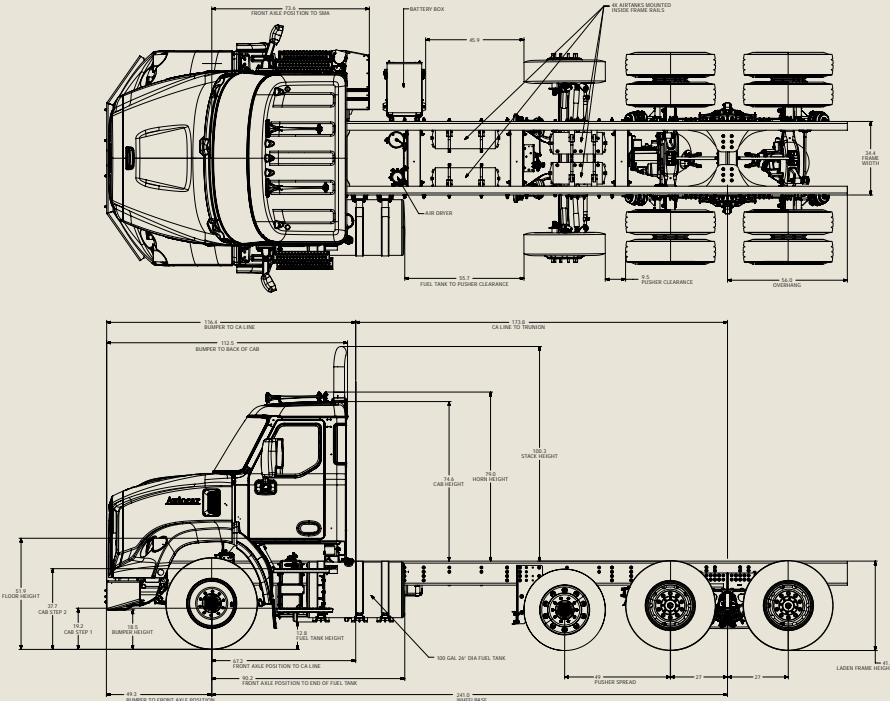
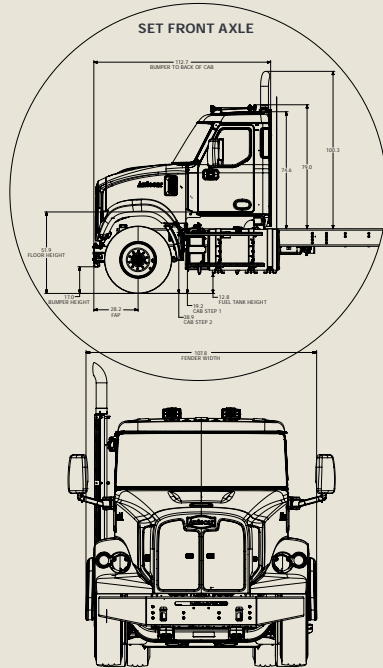




DC-64R™

SEVERE-DUTY CONVENTIONAL • CLASS 8



SEVERE-DUTY CONVENTIONAL PURPOSE-BUILT FOR REFUSE

Representative DC-64™ Specifications.

Your truck will be custom-engineered for your application.

ALL DIMENSIONS IN INCHES

CONFIGURATION	
Steering	Single left hand drive w/dual M100 Sheppard gears
Front Axle Position (FAP)	28" Set Forward 49" Set Back
FAWR	16,000 lbs - 20,000 lbs
RAWR	40,000 lbs - 52,000 lbs
Wheelbase	210" - 297" (3" Increments)
Overhang	56" - 116"

FRONT AXLE AND EQUIPMENT	
Front Axles	Hendrickson Steertek NXT 18k, 20k Meritor MFS-16/18/20
Front Suspension	16,500-22,000 lbs. Taper leaf springs
Wheel Cut	Up to 50 degrees
Front Wheels	22.5 x 8.25" through 22.5 x 13.0" Steel disc and polished aluminum
Front Tire Sizes	11R22.5 through 425/65R22.5
Front Hubs	Commet Pre-Set plus Hubs
Front Brakes	Meritor Q-Plus 16.5 x 6/7" drum or EX-225 air disc brakes

ENGINE MODELS	MAXIMUM HP	MAXIMUM TORQUE	GOVERNED SPEED	3000/3500RDS	4500RDS
Cummins X12 Diesel	350HP	1350 LB-FT	2000 RPM		X
	380HP	1450 LB-FT	2000 RPM		X
	410HP	1450 LB-FT	2000 RPM		X
	430HP	1650 LB-FT	2000 RPM		X
	455HP	1550 LB-FT	2000 RPM		X
	475HP	1700 LB-FT	2000 RPM		X
	500HP	1700 LB-FT	2000 RPM		X
Cummins L9 Diesel	330HP	1000 LB-FT	2200 RPM	X	X
	360HP	1150 LB-FT	2200 RPM	X	X
	380HP	1250 LB-FT	2100 RPM	X	X
Cummins ISX12N CNG	350HP	1450 LB-FT	2100 RPM		X
	400HP	1450 LB-FT	2100 RPM		X

ENGINE AND EQUIPMENT	
Engines	Cummins L9 rated from 330-380 hp/1000 lb.ft - 1250 lb.ft
	Cummins X12 rated from 350-500 hp/1350 lb.ft - 1700 lb.ft
	Cummins ISX12N (Natural Gas) rated from 350 hp-400 hp/1450 lb.ft
Engine Brake	X12 with Integrated Jake Brake - 3 Positions, L9 with VGT Exhaust Brake
DEF Tank Capacity / Location	12 gallon mounted driver's side forward of fuel tank
Starter	Delco Remy 39MT w/OCP
Alternator	Delco Remy 160/200 AMP
Batteries Chassis mounted (max 3)	2250-2850 CCA, Group 31 ECL M/F, Flooded Lead Acid or optional AGM
Batteries In-Cab (max 3)	2475 CCA, Group 31 ECL M/F, AGM only
Transmission	Allison Automatic 3000, 3500, 4500 RDS series
Transmission Shifter	Push button, shift pad mounted on center console
Number of Speeds	6 Speed, 1 Reverse
Air Cleaner	Opti-air 1300 series, integrated pre-cleaner with optional safety filter
Radiator	1,380 square inch down flow
Exhaust Outlet Location	RH curb side single canister with horizontal diffuser or vertical stack (Diesel only)

CHASSIS AND EQUIPMENT	
Construction	"C"-channel Frame rails Heat treated to 160 KSI - huck bolted ladder assembly
Frame Rail Dimensions	Frame flange: 4.1" Frame thickness: 7/16"
Frame Rail Height Dimensions	10.875" - RBM: 3.7M LBF.IN up to 4.5M LBF.IN with optional 120KSI liner
	11.25" - RBM: 3.9M LBF.IN up to 4.7M LBF.IN with optional 120KSI liner
	12.25" - RBM: 4.4M LBF.IN up to 5.3M LBF.IN with optional 120KSI liner
Front Tow Loops	Standard 2 pins recessed behind front bumper - 80,000 lbs. towing capacity Optional Heavy duty Single tow pin recessed behind front bumper - 150,000 lbs. towing capacity (Only available on SFA)
Fuel Tank Size	45-125 gallon polished aluminum - 22" or 26" diameter
Location, Fuel Tank(s)	LH frame rail under cab steps
Fuel/Water Separator	Fleetguard FS series with optional heater & H2O probe Davco Filters with optional heater & H2O probe Parker GreenMax
Pusher Axles	Hendrickson Compositelite 13.5/20K available in steerable and non-steerable
Tag Axles	Hendrickson Compositelite 13.5/20K available in steerable and non-steerable

REAR AXLE AND EQUIPMENT	
Rear Axles - Meritor	MT40-14X RT46-160 RT46-164EH RT52-185
Rear Suspension - Hendrickson	Haulmaax EX 400 Haulmaax EX 460 Haulmaax EX 520 Primaax EX 462 Tandem Air ride

REAR AXLE AND EQUIPMENT	
Rear Wheels	22.5 x 8.25" through 24.5 x 8.25" Steel disc and polished aluminum
Rear Tires	11R22.5 through 315/80R22.5, including 24.5" wheels
Rear Brakes	Meritor Q-Plus 16.5 x 7/8.62" drum or EX-225 air disc brakes
Braking Systems	WABCO ABS 6S/6M with optional ATC and ESC
Driver Safety	Optional Advanced Driver Assist System options (ADAS) as well as Autocar ADAM™ featuring: ESC and Rollover Stability Control Automatic Reverse Braking (Application dependant) ZF Onguard Max - Forward Collision Warning, Lane Departure and Roadway Departure Assist ZF SRR - Side Radar for Blind Spot Detection

CAB AND EQUIPMENT	
Construction	Welded and stamped galvanised steel construction w/corner castings, E-coated prior to painting
Windshield	One piece, raked for visibility, laminated and curved
Cab Glass	Tempered safety, tinted (VLT 75%)
Windows, Cab Door	Power windows standard Manual door locks standard with optional power locks driver and passenger side
Cab Floor	Heavy duty abrasion resistant mat with optional aluminum diamond plate insert at heel point.
Cab Suspension	Twin air bag suspension w/lateral stabilizer bar
Steering Column	Tilt/telescopic
Steering Wheel	18" diameter, polyurethane or black leather with red stitching wrapped wheel, 2 spokes powder coated black or chrome
Cab Mirrors	Powered Door mounted 14x7" main mirrors and 4x3" convex mirror with break-away head, black or chrome housing, heated/marker light options
Seating Configuration	2 or 3 Person (bench seat)
Seat - Driver/LH	Bostrom T914 air ride hi-back with manual lumbar and optional arm rest, black mordura
Seat Belts	3 point, over shoulder and lap, adjustable shoulder height also available in Bright Orange
Air Conditioning, Cabin	Standard - with 4 dash and 2 under-dash vents
HVAC System	Standard - integral high capacity system incl HVAC controller with rotary controls. 360 degree adjustable vents. Fresh air and recirculating type with variable 4 speed fan
Instrumentation	Comprehensive and customizable selection of analog and soft gauges. Plus, Autocar's revolutionary 7" digital display which shows any gauge with an out-of-standard condition, several modes including a "No-Distracted" mode for safety, and One-Touch Diagnostics to speed resolution of maintenance issues or fault conditions.
Front Bumper	Painted or chromed steel w/integral fog light option
Headlights	LED 7" round with Daytime running lights
ICC Marker and Turn	LED
DOT Certification	FMVSS standard, CMVSS optional
Paint, Cab (White - Std)	Interior steel surfaces painted exterior color
Paint, Chassis	Semi-gloss black, polyurethane, optional colors available
Paint, Disc Wheels	White STD, grey optional powder coated.